



Installation of Steady Bearing

1 . General

The steady bearing lengthens the life of your mixer by supporting the lower end of the shaft and increasing the shaft's ability to withstand bending loads. This becomes important when conditions of operation approach the critical speed zone.

2. Installation

WARNING: DO NOT OPERATE MIXER DURING INSTALLATION OF THE STEADY BEARING. SEVERE INJURY CAN OCCUR.

To install, make adjustments with the shaft centerline as you central point. After installing both the reducer and motor, the shaft should be inserted into both the reducer quill (or coupled to the reducer) and steady bearing. At this time, do not install the turbine until you have tested the steady bearing in operation without the turbine(s) weight.

With steady bearing flange and legs mounted as per figure A below, rotate the shaft by hand. As the shaft rotates, its natural movement will form a circle (figure B). mark the center of that circle. Next locate the centerline of the shaft over the mark and hold in place. The steady bearing legs may now be bolted to the tank bottom.

Note: it may be necessary to shim under each leg to level the steady bearing and allow free movement between the shaft and bearing.

Finally, securely tighten the fasteners per bulleting 01-050.

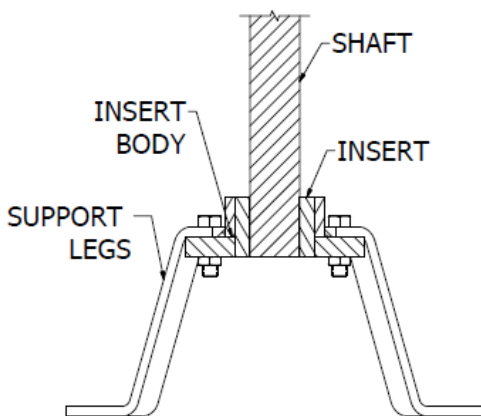


Figure A.

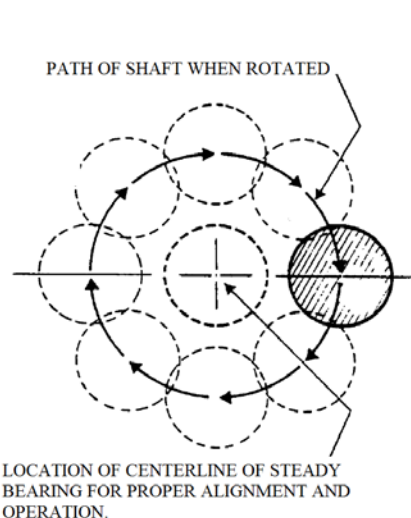


Figure B.

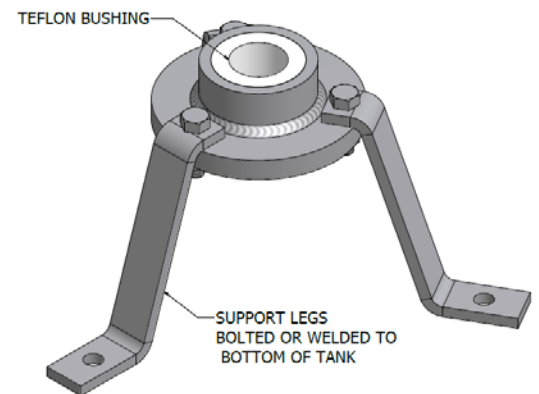


Figure C.