



UET Mixers Inc.
26 Maple St.
Mechanic Falls, ME 04256
Tel: (207)-345-3330
Toll Free: (888)-838-9131
Fax: (603)-627-9328

Static Mixers

Bulletin 13-100
12/16/11
Supersedes 10/23/00

Page
01 of 06

Table of Contents

| Description | Page No. |
|--|-----------------|
| Table of Contents | 1 |
| UET Warranty | 2 |
| General Information, Operating Guidelines | 3 |
| Injection & Metering | 4 |
| Maintenance | 5 |
| Spare Parts | 5 |
| FRP Bolt Torque Recommendations | 5-6 |



UET Mixers Inc.
26 Maple St.
Mechanic Falls, ME 04256
Tel: (207)-345-3330
Toll Free: (888)-838-9131
Fax: (603)-627-9328

Static Mixers

Bulletin 13-100
12/16/11
Supersedes 10/23/00

Page
02 of 06

UET Warranty

1. Warranty Statement

UET warrants this exclusive product to be free from defects in material or workmanship and to be correct for the process specifications as identified by the end user. If this product does not perform as given in the process specifications by the end user, or is found to be defective in material or workmanship, UET will accept the unit's return at no charge to the customer. Our exclusive remedy will be to repair said unit or replace said unit with a new unit, or money shall be refunded to the purchaser in full.

Said unit is made of new material and is free from defect under specified and normal usage, such usage as having been given per the customer's submitted specifications; however, materials are not guaranteed against chemical attack or abrasion. Mixer components are not guaranteed against normal wear.

This warranty is in effect for a period of twenty-four (24) months from shipment.

Customer records: _____

Date of installation: _____

Date of start-up: _____

Start-up notes: _____



UET Mixers Inc.
26 Maple St.
Mechanic Falls, ME 04256
Tel: (207)-345-3330
Toll Free: (888)-838-9131
Fax: (603)-627-9328

Static Mixers

Bulletin 13-100
12/16/11
Supersedes 10/23/00

Page
03 of 06

General Information

The static mixer is composed of a string of mixing elements which are generally fixed inside a piece of commercial or special made pipe. Attached to the pipe may be end connections such as flanges, threads, or tri-clamps. As part of the mixer, injectors, jackets, and other fittings may be incorporated.

Though constructed in accordance with strict industrial standards, it is important to adhere to a few precautions so as to avoid difficulties resulting from improper handling, installation, and operating procedures. Use the following check list as a guide to trouble free service.

Inspection, Storage, & Shipping Claims

- After uncrating your mixer, please check for shipping damage and report any damage immediately to the responsible carrier and to the customer service department of our factory.
- Shipping package contents must be inspected for conformity with your order and for proper unit quantities. Any discrepancies must be reported to the factory service department within one week of receipt. Mixers should be stored indoors in clean, well ventilated storage areas. Care should be taken to see that excessive loads are not applied to carbon steel external surfaces prior to shipment. For extended storage in harsh environments additional coating or protection may be required.
- Mixers must be handled with appropriate care. Careless handling may result in permanent damage. Field modifications (cutting to length, addition of fittings, etc.) to static mixers should never be made without prior consultation with your local representative or the factory.

Operating Guidelines

- When moving a mixer, always lift it - do not drag or push it. If the mixer is too large to lift manually, use a web sling or two heavy cloth straps. Chains, cables, and fork lifts in direct contact with the mixer could damage it.
- Operate the mixer within the lowest temperature/pressure limits specified for either the housing or end connections.
- Bolt flanged mixer to existing pipe at one end, and bring a new flanged pipe up to the other end of the mixer. Do not try to install the mixer between two existing flanged pipes. Follow proper flange tightening procedures; and use recommended gasketing material as required for the intended service. This can be especially critical for plastic mixers (i.e. FRP, PVC, CPVC).
- When using a mixer with removable elements, be sure that the retention mechanism is on the downstream end of the mixer and that a gasket is in place if a retention ring is used.
- When welding an element assembly into existing pipe, follow good welding practice for the material supplied. Be sure the elements are not recessed too far into the pipe so as to make them inaccessible to welding. A total of four welds should be placed at the two ends of the element assembly. Each weld should be 1/3 of the pipe diameter in length. Consult the factory for additional welding procedures if required.
- The mixer is symmetrical and can therefore be operated with the flow in either direction.



General Information (continued)

Static mixers can be located anywhere in your piping systems and may be installed vertically, horizontally, or any intermediate angle. Where the mixer is used to achieve uniformity, such as in sampling, or prior to manifolds and where disengagement of phases can occur, the mixer should be located no more than 1-2 pipe diameters from the desired result.

Before installation, purge process lines to remove foreign materials and debris. In most new construction or modifications to process piping there is a high probability of foreign material within the system, which if not removed could damage the mixer.

Injection and Metering

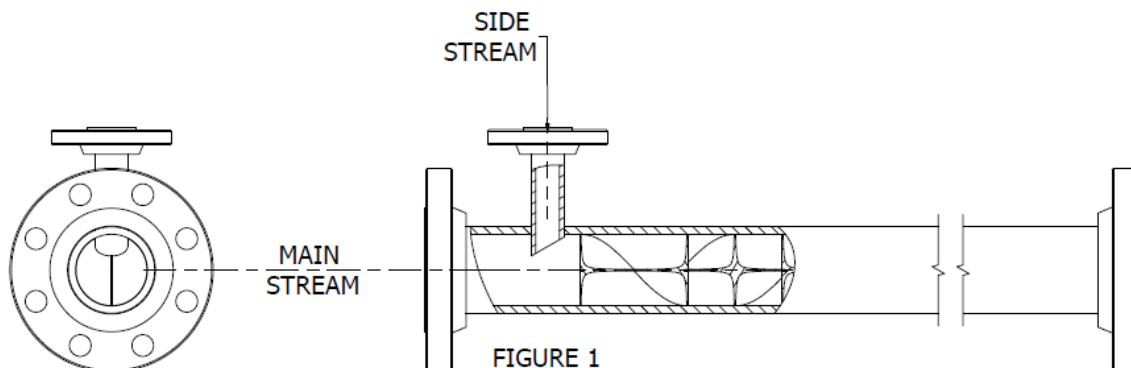
Injection of side streams before a static mixer can be very important to the operation of the mixer, especially where large viscosity, density, or volumetric differences exist. The maximum ratios advised without special engineering from the factory are:

| | |
|--------------------------------|---------------|
| Volumetric Ratio | 1000:1 |
| Viscosity Ratio | 1000:1 |
| Density Ratio (Liquids) | 2:1 |
| Density Ratio (Gases) | 5:1 |

The static mixer is a radial mixer having characteristics approaching a plug flow device, therefore a minimum amount of back-mixing is achieved. In order to maintain this characteristic, excessive surging or pulsating of the feed components should be minimized to avoid nonuniformity of the final product. This can be especially important with certain applications including addition of a caustic or acid for pH control or blending of wide viscosity streams. It is therefore important that the upstream equipment including type of pump and injection method be considered when designing mixer systems.

If reciprocating piston or diaphragm pumps are used to meter in chemical side streams, an accumulator should be installed before flow discharge to the mixer in order to maintain a steady discharge flow and to dampen the pulsating effect.

When used, injection ports for chemical side stream addition should be located immediately upstream of the mixer. In addition, the injector should be parallel with the leading edge of the first mixing element. The preferred injection method is pictured below. When strong acids are added through an injector provided by UET, a Teflon or Kynar insert may be included which needs to be installed in the nozzle prior to plumbing the line to the nozzle.





UET Mixers Inc.
26 Maple St.
Mechanic Falls, ME 04256
Tel: (207)-345-3330
Toll Free: (888)-838-9131
Fax: (603)-627-9328

Static Mixers

Bulletin 13-100
12/16/11
Supersedes 10/23/00

Page
05 of 06

General Information (continued)

Maintenance

Static mixers require no routine maintenance other than sealing joint care typical to the rest of the piping system. For mixers with removable elements, the element assembly may be removed for periodic cleaning or inspection by disconnecting the adjacent downstream component which must be as long as the mixer in order to extract the mixing element. Otherwise, both ends must be disconnected and the mixer removed from the pipe line. Replace gaskets each time the mixer is removed.

Spare Parts

Because the static mixer inherently does not have any moving parts, a parts list is not applicable. Where mixers are used for extremely heavy duty applications and where down time must be minimized, we highly recommend that a complete spare static mixer be purchased for inventory or storage.

FRP Bolt Torque Recommendations

When installing a flanged FRP mixer, do not use the flange bolts to bull the mating flange connection to the mixer. Where misalignment gaps exist between mating flanges and the mixer, repositioning of the mating connection is recommended before assembly and installation.

Soft, resilient, full face, flat gaskets (1/8 or 3/16" thick) with a Shore A durometer rating of 40 to 50 should be used.

Some sizes of FRP mixers are furnished with flat face socket flanges which have an "O" ring groove to be used with either an "O" ring or a flat gasket.

Recommended mounting hardware is a hex head bolt, hex-nut, and two flat washers per bolt hole. Lubricate the bolt thread, the underside or the head, and both faces of each washer. Assemble all hardware finger tight.

When installing flanged Fiberglass mixers, use the following recommended bolt torques to avoid flange distortion or fracture. Bolts should be tightened in a criss-cross pattern, and in increments of 25 percent of the recommended bolt torque. Load all bolts at each increment before proceeding to the next bolt.



UET Mixers Inc.
26 Maple St.
Mechanic Falls, ME 04256
Tel: (207)-345-3330
Toll Free: (888)-838-9131
Fax: (603)-627-9328

Static Mixers

Bulletin 13-100
12/16/11
Supersedes 10/23/00

Page
06 of 06

General Information (continued)

| Pipe I.D. Inches | Recommended Bolt Torque in Foot Pounds at Pressure Ratings | | | |
|---------------------|---|--------|---------|---------|
| | 25 PSI | 50 PSI | 100 PSI | 150 PSI |
| 1 | 5 | 5 | 8 | 8 |
| 1.50 | 5 | 5 | 10 | 10 |
| 2 | 5 | 5 | 10 | 10 |
| 2.50 | 5 | 5 | 10 | 10 |
| 3 | 5 | 10 | 10 | 10 |
| 4 | 5 | 10 | 10 | 10 |
| 6 | 5 | 10 | 10 | 15 |
| 8 | 10 | 10 | 17 | 25 |
| 10 | 10 | 10 | 20 | 30 |
| 12 | 10 | 15 | 30 | 40 |
| 14 | 10 | 20 | 40 | 60 |
| 16 | 10 | 20 | 40 | 60 |
| 18 | 15 | 30 | 60 | 90 |
| 20 | 15 | 30 | 60 | 90 |
| 24 | 25 | 45 | 95 | 140 |
| 30 | 30 | 55 | 105 | ---- |
| 36 | 40 | 85 | 155 | ---- |
| 42 | 50 | 95 | 190 | ---- |