



**UET Mixers Inc.**  
26 Maple St.  
Mechanic Falls, ME 04256  
Tel: (207)-345-3330  
Toll Free: (888)-838-9131  
Fax: (603)-627-9328

## **XCEL Series of Turbine Mixers**

**Bulletin 02-835**  
02/13/2012  
Supersedes 10/23/00

Page  
01 of 02

# Installation of CDSA Double Mechanical Seal

## I. Pre-Installation Checks:

- a.) Shaft outside diameter is within tolerance  $\pm 0.002''$  ( $\pm 0.05\text{mm}$ ).
- b.) Shaft run out  $< 0.004''$  (0.1 mm) T.I.R.
- c.) Shaft end float  $< 0.005''$  (0.13mm).
- d.) Fluid seal can be obtained on the stuffing Box face.
- e.) There are no sharp edges over which the seal O-ring (Item 3) must pass.

## II. Installation Instructions:

1. Lubricate the shaft with the grease provided
2. Slide the seal onto the shaft.
3. Assemble rest of equipment in final running position.
4. Slide seal into position. Fit washers in all cases and tighten gland nuts down firmly.
5. Equally tighten the drive screws down onto the shaft.
6. Remove setting clips.
7. Spin the shaft by hand. Listen and feel for any shaft binding, etc.
8. Connect the quench and drain (1/4" NPT).
9. Ensure barrier fluid is present before start-up
10. Retain clips and clip screws for future use.

**NOTE: Ensure that the seal is firmly bolted to the Stuffing Box, with the shaft already in position, before removing centering clips!**



UET Mixers Inc.  
 26 Maple St.  
 Mechanic Falls, ME 04256  
 Tel: (207)-345-3330  
 Toll Free: (888)-838-9131  
 Fax: (603)-627-9328

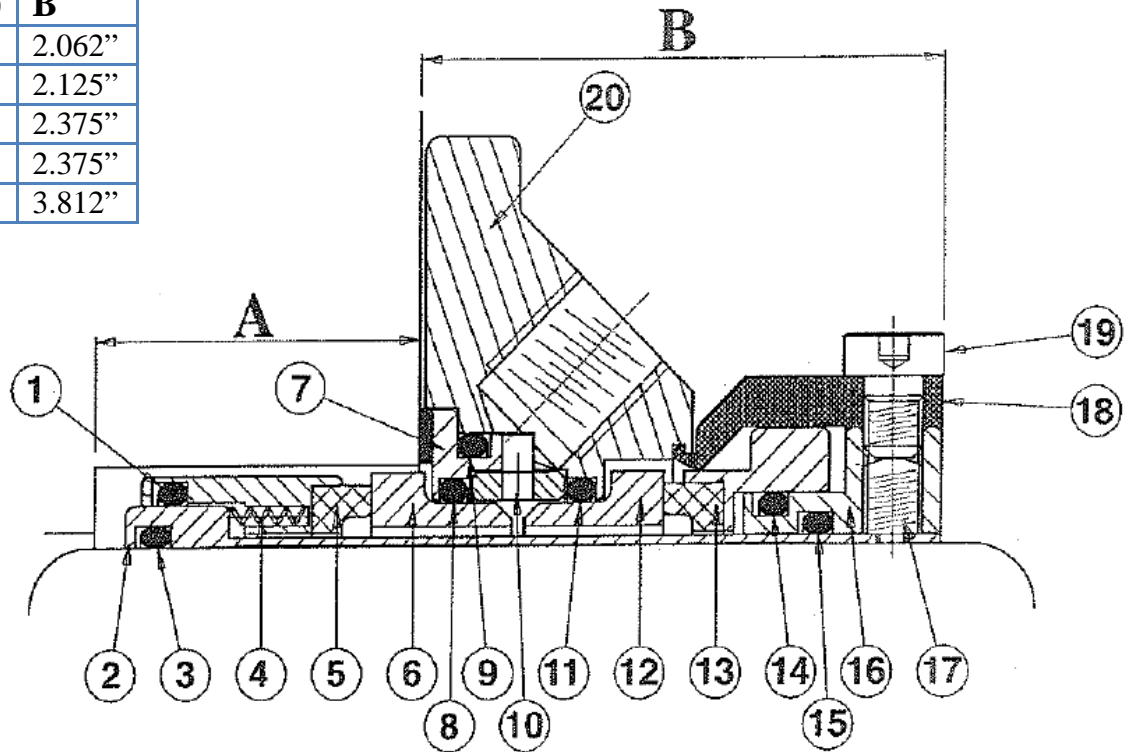
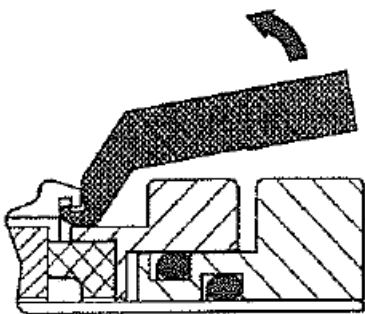
## XCEL Series of Turbine Mixers

Bulletin 02-835  
 02/13/2012  
 Supersedes 10/23/00

Page  
 02 of 02

### Installation of CDSA Double Mechanical Seal

| SEAL SIZE       | A (MIN) | B      |
|-----------------|---------|--------|
| 1.00" – 1.375"  | 1.281"  | 2.062" |
| 1.500" – 2.375" | 1.312"  | 2.125" |
| 2.500" – 3.875" | 1.500"  | 2.375" |
| 4.000" – 5.000" | 1.500"  | 2.375" |
| 5.125" – 6.000" | 1.812"  | 3.812" |



MAX BARRIER PRESSURE = 17 bar g (Normally 1 bar g above product pressure)

| ITEM | DESCRIPTION           | MATERIAL             | ITEM | DESCRIPTION           | MATERIAL             |
|------|-----------------------|----------------------|------|-----------------------|----------------------|
| 1    | Dynamic O-ring        | Viton/EPR/FEP/Kalrez | 12   | Outer Stationary Face | SiC/Ceramic /TC/316L |
| 2    | Cartridge             | 316L                 | 13   | Outer Rotary Face     | 316L / Carbon        |
| 3    | Static O-ring         | Viton/EPR/FEP/Kalrez | 14   | Dynamic O-ring        | Viton/EPR/FEP/Kalrez |
| 4    | Springs               | Hastelloy C          | 15   | Static O-ring         | Viton/EPR/FEP/Kalrez |
| 5    | Inner Rotary Race     | 316L / Carbon        | 16   | Clamp Ring            | 316L                 |
| 6    | Inner Stationary Face | SiC/Ceramic /TC/316L | 17   | Anti-Tamper Screw     | 316L                 |
| 7    | Gland Insert          | 316L                 | 18   | Centering Clips       | Hard Plastic/ Metal  |
| 8    | Dynamic O-ring        | Viton/EPR/FEP/Kalrez | 19   | Clip Screws           | 316L                 |
| 9    | Static O-ring         | Viton/EPR/FEP/Kalrez | 20   | Gland                 | 316L                 |
| 10   | Pivot Ring            | 316L                 | 21   | *Drive Screws         | 316L                 |
| 11   | Dynamic O-ring        | Viton/EPR/FEP/Kalrez | 22   | *Springs              | Hastelloy C          |

\*Not Shown